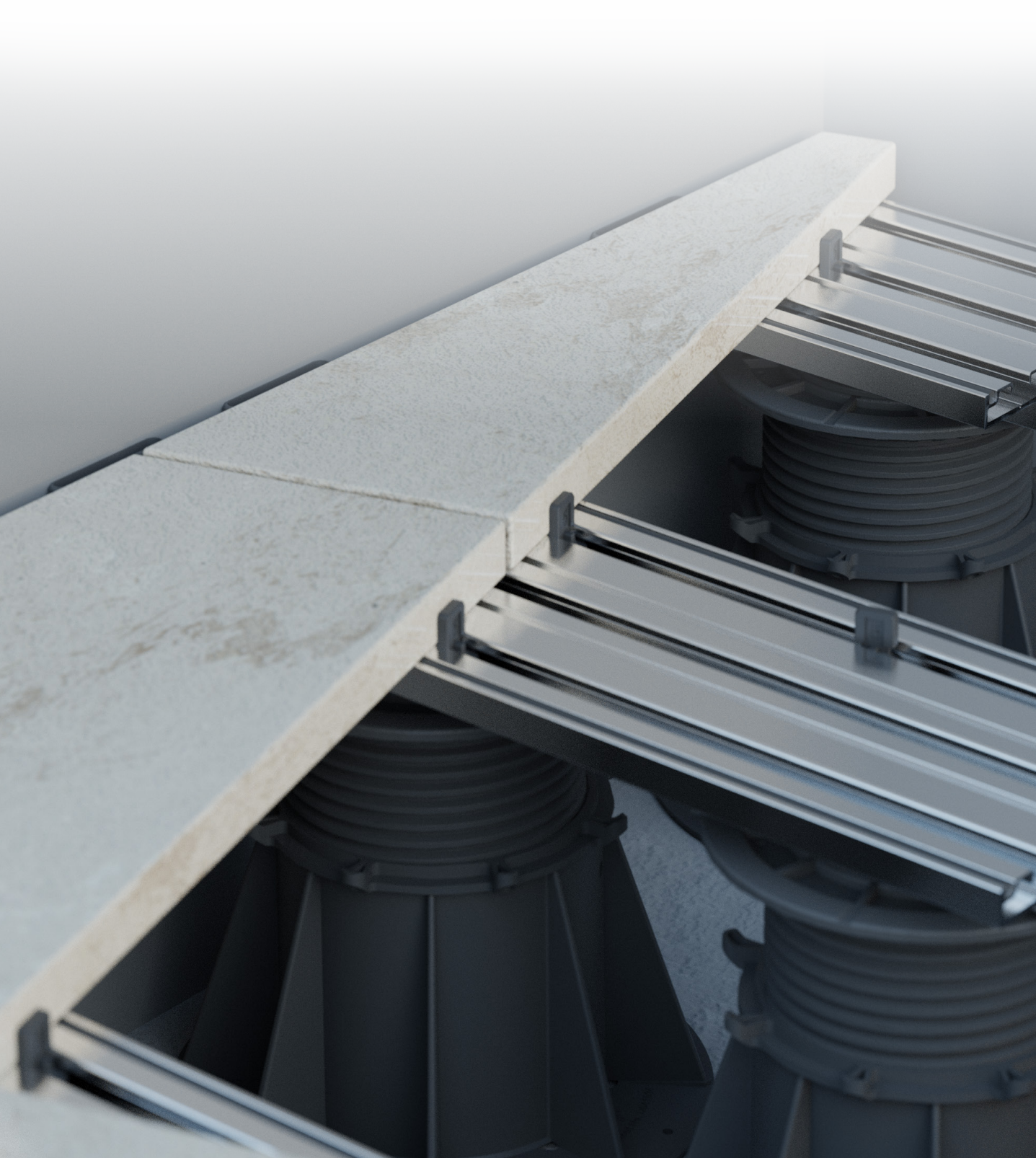


# VF E-Support

Edge Support For Non-Right Angled Pavers

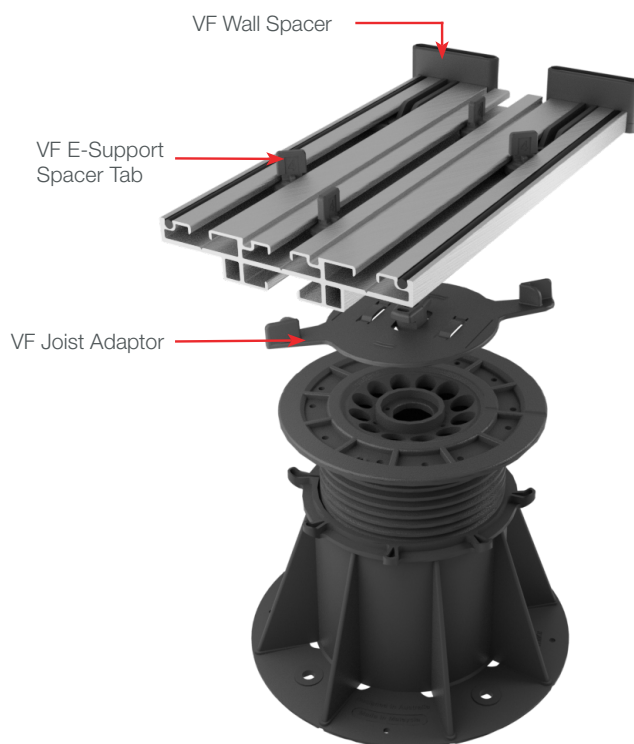


We make the difference.  
The Elmich Difference.



# VF E-Support

VF E-Support supports paver installations along non-right angled corners around the perimeter walls, offering a flexible yet efficient solution for most paver layouts without the need for support brackets fastened to the perimeter wall.



## About VF E-Support

Attached on the head of VersiJack® Height-Adjustable Pedestal via VF Joist Adaptor, VF E-Support is an accessory used to support paver installations along non-right angled corners around the perimeter walls, offering a flexible yet efficient solution for most paver layouts without the need for support brackets fastened to the perimeter wall.

Designed with removable and rotatable spacer tabs on its three rails, VF E-Support supports regular and odd-shaped pavers of various cuts and sizes, which makes it suitable for exposed balconies and terraces of any shape.

VF Wall spacer on VF E-Support ensures a gap of 10 mm between pavers and the wall, allowing uniform water drainage during rain or snow events.



# Applications

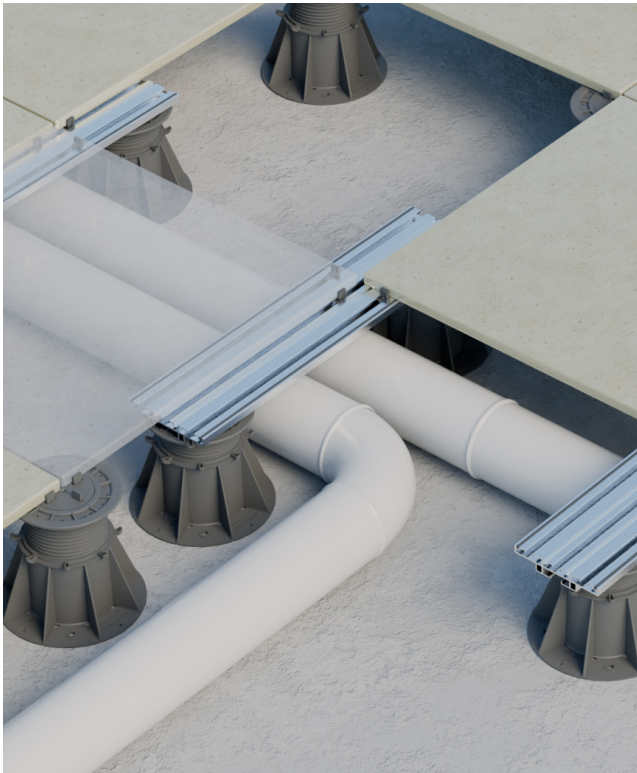
---



Installing narrow pavers along wall edges



Installing pavers at non-right angled corners



Bridging over M&E services



Supporting odd-shaped pavers

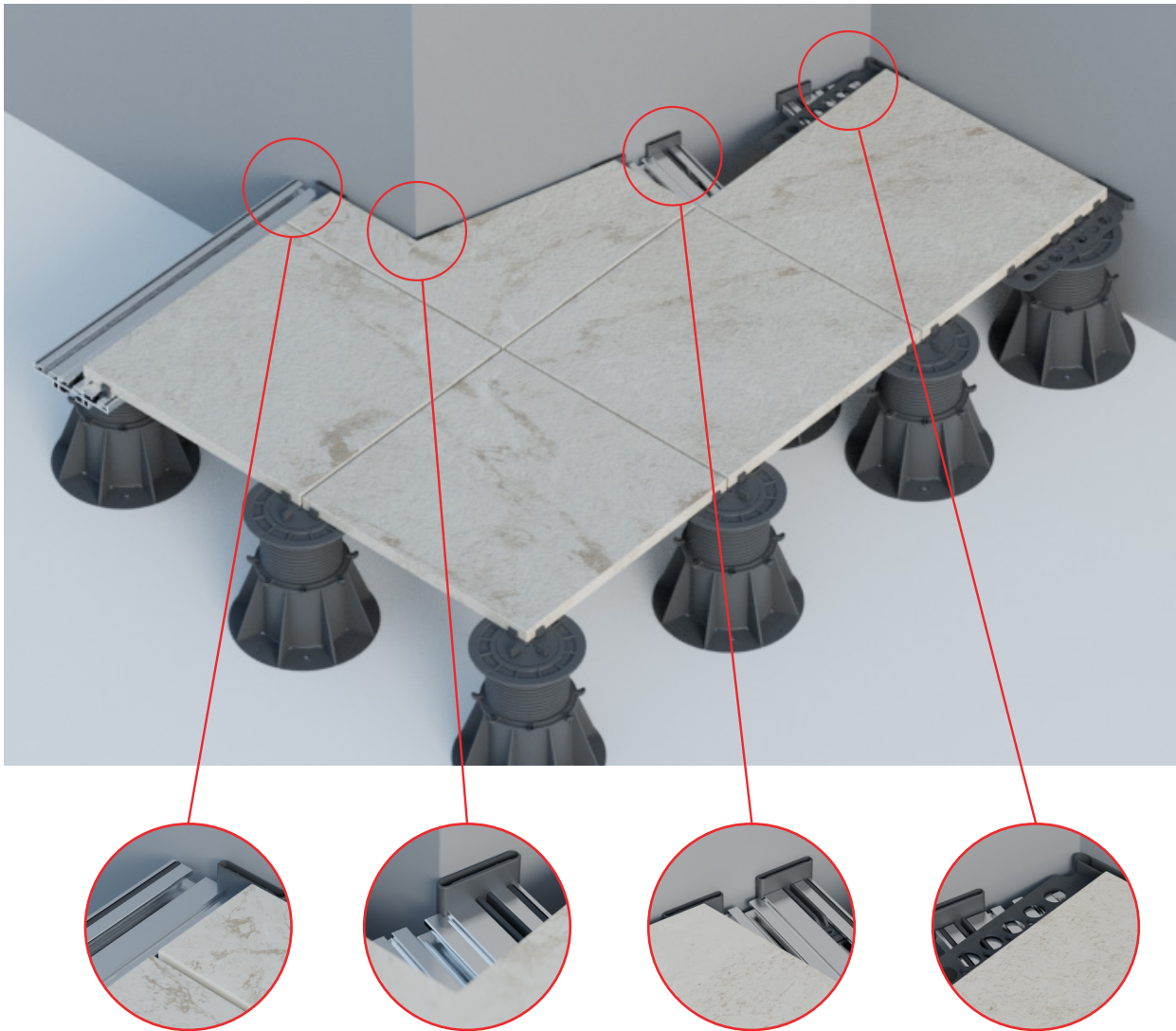
# Technical Specifications

## VF E-Support

**Material** Aluminium  
**Joist size** 1000 (L) x 140 (W) x 25 (H) mm

## E-Support Spacer Tab

**Material** PP  
**Spacer Tab thickness** 3 / 4 / 5 / 6 / 8 mm



The Elmich security hologram ensures authenticity of the products.



Management System  
 ISO 9001:2015  
 ISO 14001:2015  
 ISO 22301:2019  
 www.elmich.com  
 ID 9105067487



## Elmich Pte Ltd

**t** +65 6356 2800  
**e** info@elmich.com

Singapore • Australia • Malaysia  
 Switzerland • Germany • USA

**Note** The information provided in this brochure is based on current knowledge and experience and does not infer any legally binding assurance or warranty, expressed or implied. Intending purchasers should verify whether any changes to specifications or applications or otherwise have been made since the issue of this literature. Environmentally-friendly recycled materials are used in product manufacture wherever possible. Physical product properties including colour may differ due to source of raw materials used. Colour may also fade due to UV exposure. All components of the product are designed for specific application, design calculations and any variation and/or deviation therefrom shall be the responsibility of the Specifier and/or User.