

VersiWall® GP 250

Slim Profile Green Wall Tray



VersiWall® GP 250 (VGP 250) offers creative design solutions for living wall projects.

VGP 250 is a modular vertical greening system that give designers the freedom to implement aesthetically pleasing green walls.

VGP 250 is designed with ease of installation and safety in mind. The design of the planting tray allows it to be mounted through a variety of methods: on a proprietary rail mounting system, wire mesh, or directly drilled to a wall.

VGP 250 allows for convenient plant maintenance and supports design changes where required. Moulded holders at the base of each tray allow conventional 100 mm plant pots to be inserted, allowing for simple and quick installation.

Each tray has a water reservoir to sustain plant growth. An automated irrigation system can be incorporated to reduce hands-on work for daily watering needs.



Engineered in Australia

Securing Mechanism

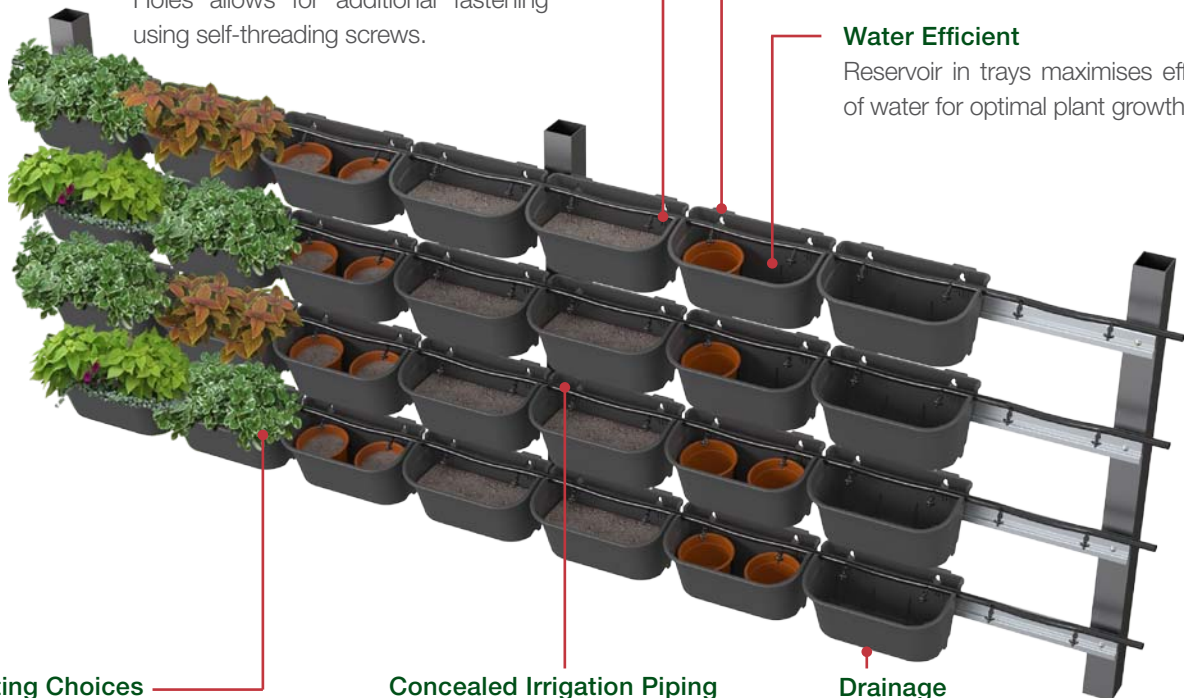
Clips keep tray securely mounted on proprietary aluminum rail or wire mesh. Holes allows for additional fastening using self-threading screws.

Easy Access

Trays can be removed from the back for repotting or general maintenance.

Water Efficient

Reservoir in trays maximises efficiency of water for optimal plant growth.



Planting Choices

Each tray is designed to hold up to two potted plants of standard sizes for interchangeability of potted plant palette during temporary displays.

Concealed Irrigation Piping

Irrigation pipes can be pre-configured and easily slotted onto U-shaped cutouts on each tray, allowing for piping to be kept hidden behind the plants.

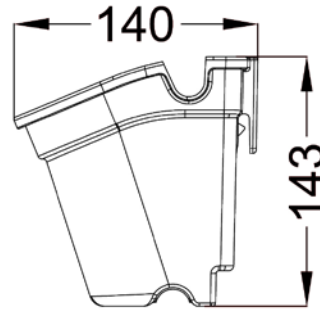
Drainage

Drainage outlets allows excess water to flow into underlying trays or discharge pipes.

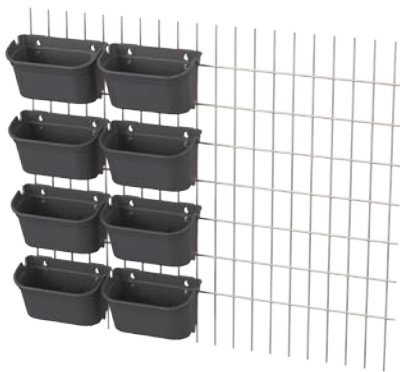
Technical Specifications

VGP 250 Side Profile

Material	PP
Dimension	
Tray	250 mm (L) x 143 mm (H) x 140 mm (D)
Rail	1000 mm (L) x 50 mm (H) x 16 mm (D)
Tray planting volume	~ 2.1 L
Weight (planted)	< 50 kg/m ²
Vertical pitch between trays	150 mm - 200 mm (recommended)
Biological/ Chemical resistance	Unaffected by moulds and algae. Resistant to rot, oils, acids, alkalis, bitumen and naturally occurring soil chemicals



Mounting Systems



Wire Mesh



Vertical Post



Wall

Projects



Heartware Office, Singapore



Indoor Living Wall, Singapore



Landscape Event Display, South Africa



Toriyard Restaurant, Singapore



The Elmich security hologram ensures authenticity of the products.

Note: The information provided in this brochure is based on current knowledge and experience and does not infer any legally binding assurance or warranty, expressed or implied. Intending purchasers should verify whether any changes to specifications or applications or otherwise have been made since the issue of this literature. Environmentally-friendly recycled materials are used in product manufacture wherever possible. Physical product properties including colour may differ due to source of raw materials used. Colour may also fade due to UV exposure. All components of the product are designed for specific application, design calculations and any variation and/or deviation therefrom shall be the responsibility of the specifier and/or user.



ELMICH PTE LTD www.elmich.com

Singapore: (+65) 6356 2800
info@elmich.com

Singapore | Australia | Germany | Malaysia | Switzerland | USA



Management System
ISO 9001:2015
ISO 14001:2015
ISO 22301:2012
www.tuv.com
ID 9105067487

