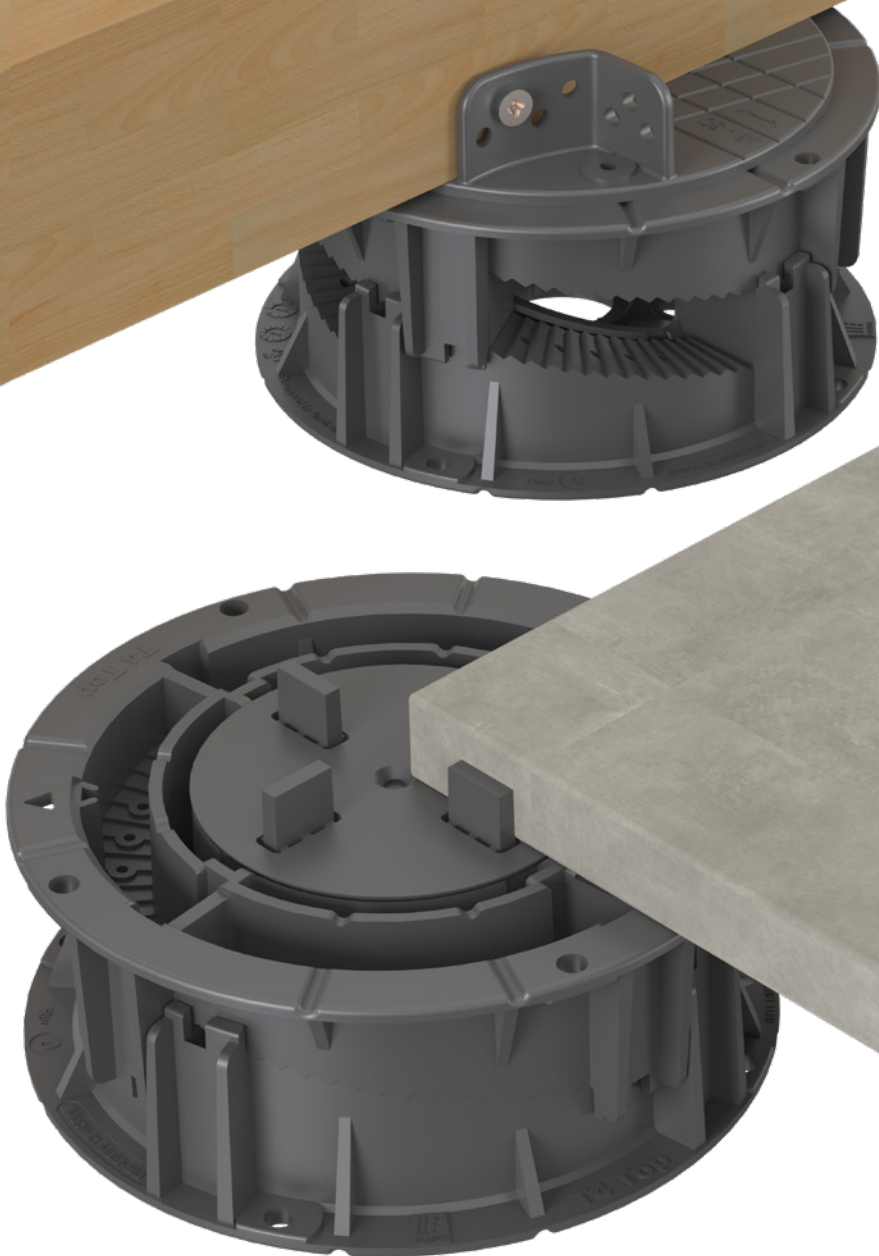


# SpiraPave®

Paver and Deck Support



Engineered in Australia

## Our Innovation Your Solution

SpiraPave® pedestals are a versatile, environmentally-sustainable and cost-effective solution to support raised pavers and timber decking. They improve heat and sound insulation, facilitate rapid surface drainage and conceal waterproofing and services.



# SpiraPave®

SpiraPave® has a unique 'step' design for supporting raised pavers and timber decking on uneven surfaces. It provides a cavity for easy access to concealed services and waterproofing. SpiraPave® is a versatile, cost-effective way to build even, long-lasting flooring with improved surface drainage and reduced efflorescence and algae growth.

## About SpiraPave®

SpiraPave® is a height and slope-adjustable pedestal that reduces material, construction and lifecycle costs.

With adjustments in 1 mm increments through a unique 'step' design, its height ranges from 12–74 mm. The SP-45E Extender is used for an additional height of 45 mm.

SpiraPave® is used in balconies, swimming pool surrounds, roof gardens and plaza decks.

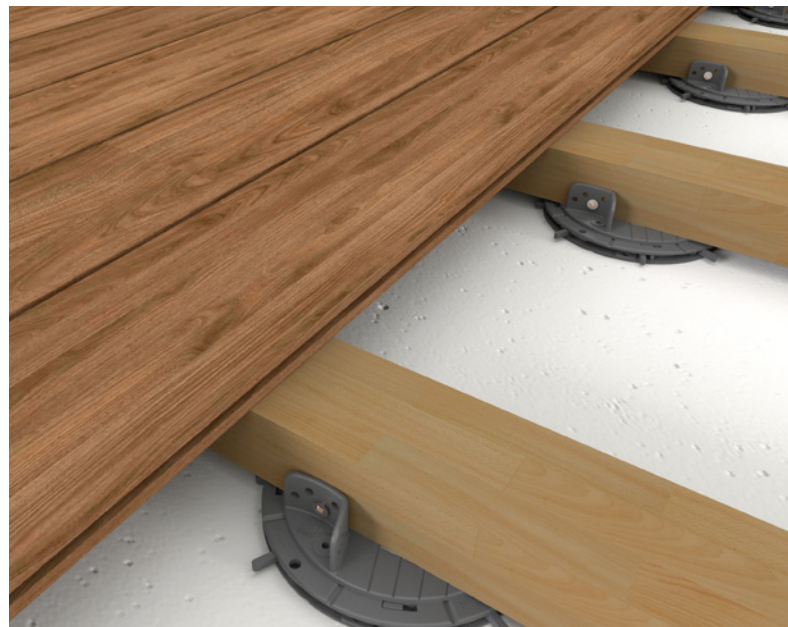
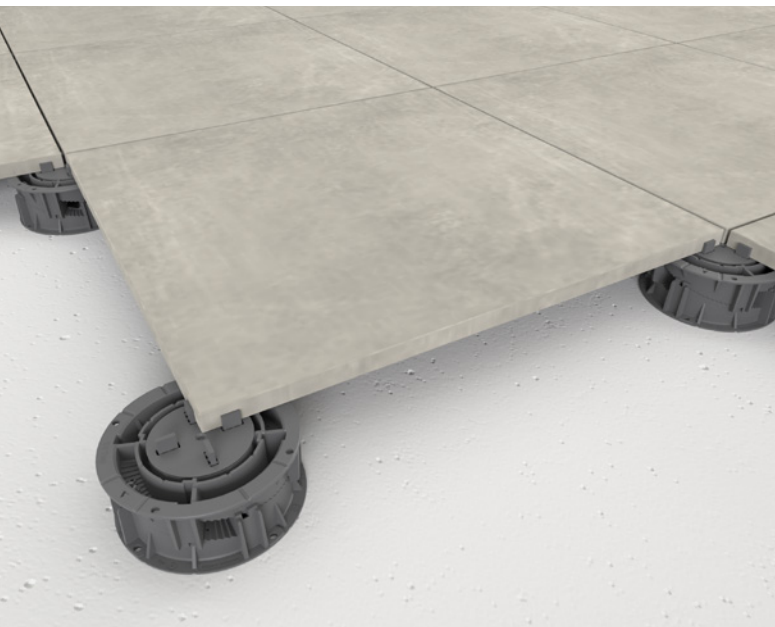


### 1 SpiraPave® Pedestal

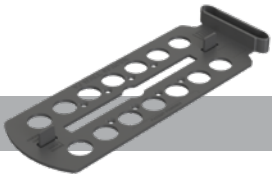
Integrates seamlessly with most VersiJack® accessories.

### 2 SpiraPave® Extender

Stackable 45 mm Extenders are used for taller pedestal heights.

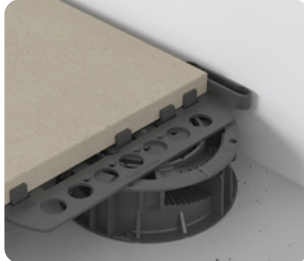


# SpiraPave® Accessories



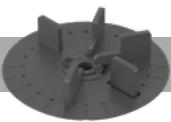
Wall Spacer

Wall Spacer with compressible buffer allows for expansion, contraction and paver movement.



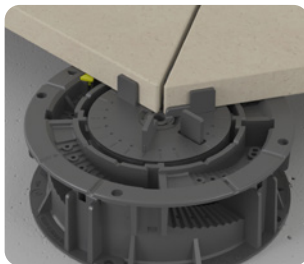
Bearer Holder

Suitable for widths 35–80 mm to keep bearer firmly in place.



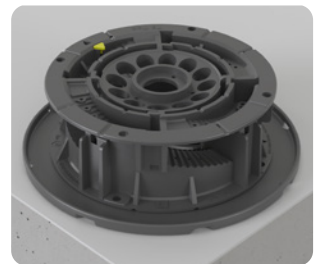
Variable Angle Spacer Tab

Variable Angle Spacer Tab with adjustable posts used for up to 6 pavers.

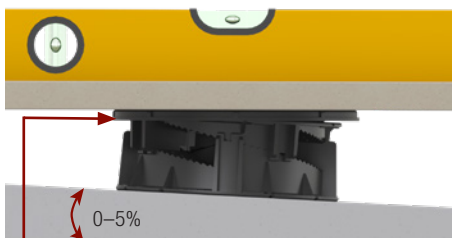


Base Plate

Base Plate distributes weight over a larger support area.



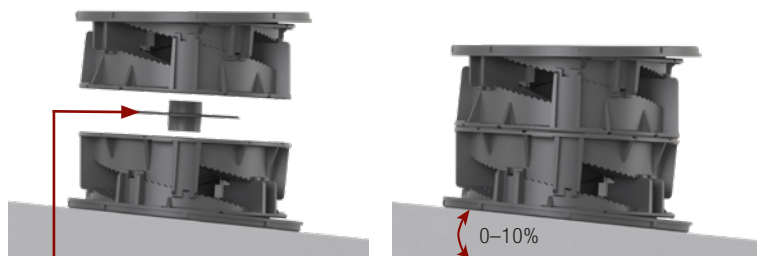
## Slope Correction



### Slope Corrector

Creates level surfaces by compensating for gradients up to 5%.

**5% Slope Correction**



### Joiner

Connects pedestals when they are stacked to achieve higher heights.

Connect 2 pedestals with a Joiner and use Slope Correctors for up to 10% slope correction\*.

*\*only for SP-T22 onwards*

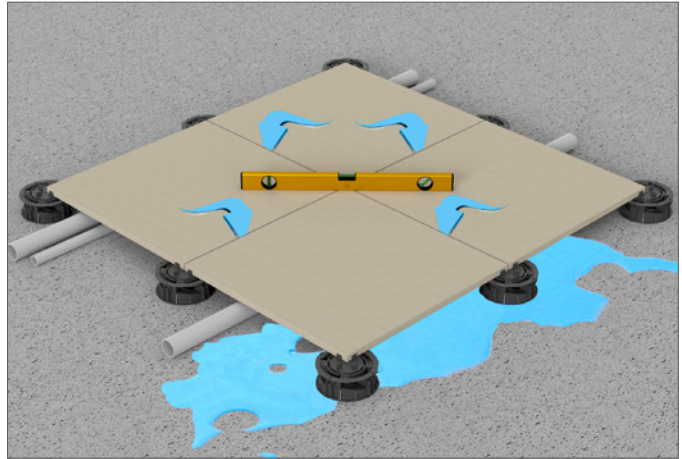
**10% Slope Correction**

## Technical Specifications

Material	PP
Height range	12–119 mm
Ultimate compressive strength <sup>1</sup>	>20 kN
Design compressive strength	15 kN
Slope correction	up to 5% @ 1% increment
Base diameter	154 mm 172 mm (with Slope Corrector)
Spacer tab post	
- Height	12 / 15 / 25 mm
- Thickness	2 / 3 / 4 / 5 / 6 / 8 / 10 mm ( gap between pavers )
Bearer holder	35–80 mm ( bearer width )
Biological / Chemical resistance	Unaffected by moulds and algae. Good resistance to alkali and bitumen.

<sup>1</sup> varies with different combination

## Advantages



- 1 Conceals unsightly services
- 2 Rapid drainage
- 3 Creates usable space
- 4 Ease of access
- 4 Thermal insulation
- 5 Acoustic insulation
- 6 Recyclable components

## SpiraPave® Height Table (mm)

120									
80									
40									
	SP-T11	SP-T12	SP-T22	SP-T33	SP-T34	SP-T44	SP-T33+45E	SP-T34+45E	SP-T44+45E
	12–18	18–23	23–29	30–44	45–59	60–74	75–89	90–104	105–119

↓  
**20 kN**

*SpiraPave® is part of our VersiJack® range of adjustable Elmich pedestals (4–1022 mm)*



The Elmich security hologram ensures authenticity of the products.

**Distributed by:**

**Note:** The information provided in this brochure is based on current knowledge and experience and does not infer any legally binding assurance or warranty, expressed or implied. Intending purchasers should verify whether any changes to specifications or applications or otherwise have been made since the issue of this literature. Environmentally-friendly recycled materials are used in product manufacture wherever possible. Physical product properties including colour may differ due to source of raw materials used. Colour may also fade due to UV exposure. All components of the product are designed for specific application, design calculations and any variation and/or deviation therefrom shall be the responsibility of the specifier and/or user.

**ELMICH PTE LTD** [www.elmich.com](http://www.elmich.com)  
 Singapore: (+65) 6356 2800  
 info@elmich.com  
 Singapore | Australia | Germany | Malaysia | Switzerland | USA



Management System  
 ISO 9001:2015  
 ISO 14001:2015  
 ISO 22301:2012  
 www.tuv.com  
 ID 9105067487



© Elmich Pte Ltd SP/001-V2-0121SG