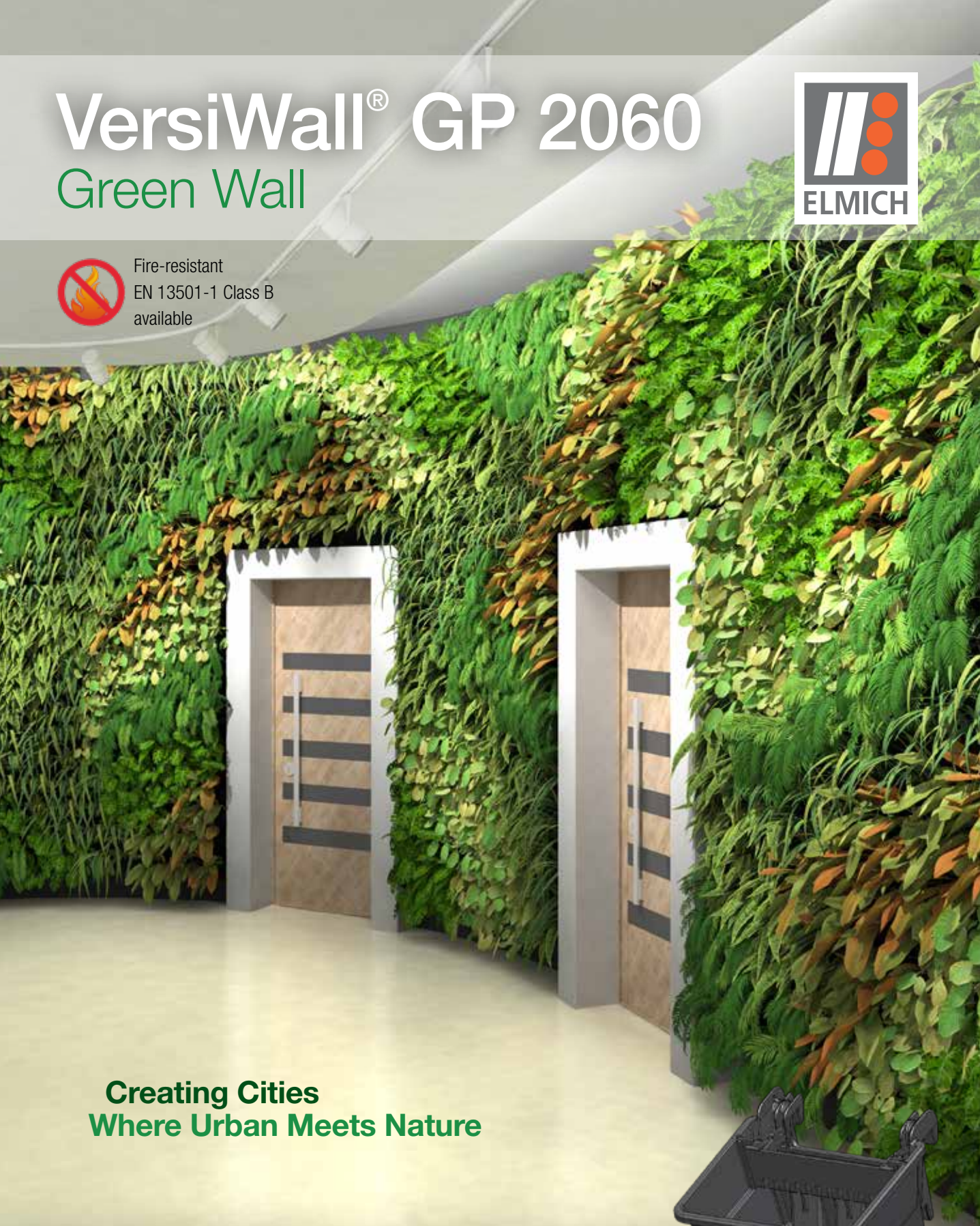


VersiWall® GP 2060

Green Wall



Fire-resistant
EN 13501-1 Class B
available



**Creating Cities
Where Urban Meets Nature**

Our Innovation Your Solution

Elmich VersiWall® GP 2060 (VGP 2060) offers architects and developers flexible and cost-effective solutions to create environmentally beneficial and aesthetically inspired living walls. The tray system allows choice of a variety of mounting, planting density and growth media options to suit different installation requirements.

Engineered in Australia



VersiWall® GP 2060

VersiWall® GP 2060 (VGP 2060) offers creative design solution for aesthetically-pleasing living walls.

VGP 2060 is an easy-to-install, low-maintenance vertical greening system that allows choice of a variety of mounting, planting density and growth media options to suit different installation requirements. The flexibility of the system allows architects and designers the full expression using a palette of plants to articulate spaces with green walls, creating inspired, environmentally beneficial habitats to live and work in.

VGP 2060 is available in a fire-resistant variant, which meets the Singapore Fire Code requirements for toxicity emissions, smoke density and fire spread. This means that VGP 2060 can be utilised for both outdoor and importantly, indoor green wall installations, adhering building code regulations.

VGP 2060 allows for convenient plant maintenance and design change, with trays easily removed from their mounts individually. Furthermore, each VGP 2060 Tray has a water reservoir with a cover designed to allow re-use of stored water via capillary action to sustain plant growth and minimise maintenance.

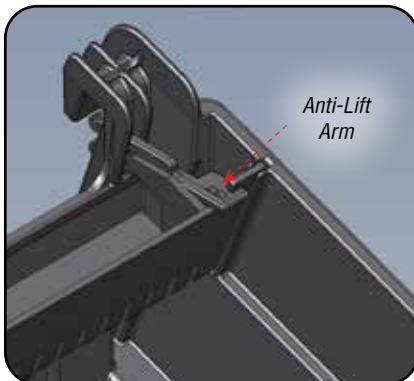
VGP 2060 is manufactured from UV-stabilised recycled polypropylene that meets requirements for the international "Green Building" certification.



VersiWall® GP 2060 Tray

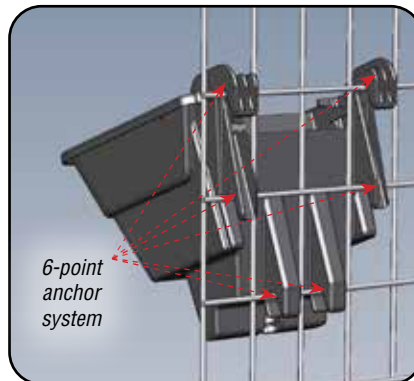
Safety

Anti-lift arms prevent the inadvertent dislodgment of trays by natural causes or accident.



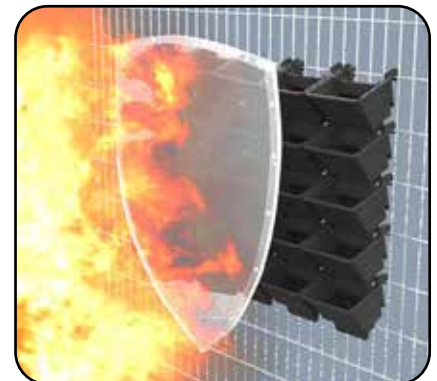
Multi-Point Mounting

3 pairs of anchor hooks provide flexibility, allowing an unlimited number of mounting and design options.



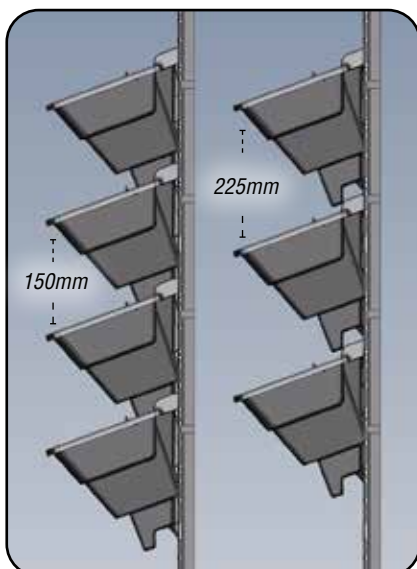
Fire-Resistant Version

Meets the SCDF** Fire Code requirements and will not release toxic gases and smoke or cause a fire to spread.



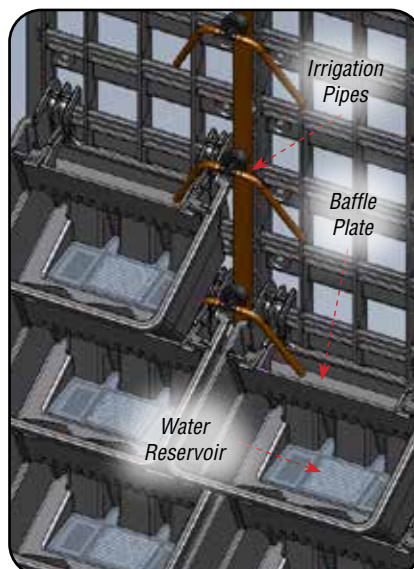
Plant Density

Variable vertical and horizontal tray spacing allows different planting and design options.



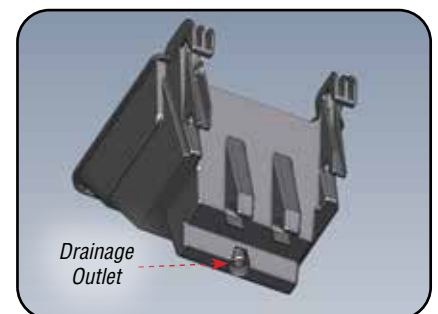
Baffle Plate & Reservoir

Distributes irrigation, prevents media spillage and stores excess water to sustain healthy plant growth.



Drainage

Excess water flows into underlying trays or is discharged through a drainage outlet, preventing spillage.



VGP Tray Plug

Optional plug prevents water from draining out.

Advantages

Flexibility - Allows for varying spacing of trays as well as installation on curved walls.

Planting Media - Allows wide choice of planting media to be used.

Safety - Anti-lift arms prevent inadvertent dislodgement of trays.

Drainage - Drainage outlet allows excess water to flow into underlying trays or to be channelled away, preventing spillage.

Baffle Plate - Distributes irrigation, prevents media spillage and allows trays to neatly overlap in close planting.

Plant Density - Flexible vertical and horizontal tray spacing allows variable plant density and design options.

Water Re-use - Base Plate with capillary function enables use of stored water/fertiliser in reservoir.

Irrigation - Irrigation pipes are concealed between trays or at the rear.

Anchor System - 6-point mounting permits flexible use of various mounting options individually or in combination.

Installation - Proprietary Mounting Panels facilitate easy mounting.

Soil Volume - Holds 1.8 L of soil, equivalent to a 150 mm diameter planting pot.

Tray Width - 200 mm wide tray permits easy planting and allows room for plants to branch out as they grow.



Shelford Road Residence, Singapore



International Skyrise Greenery Conference (ISGC) 2015, Singapore



Oncidium Heights, Malaysia



Ngee Ann Polytechnic, Singapore



Saigon Cafe, Vietnam



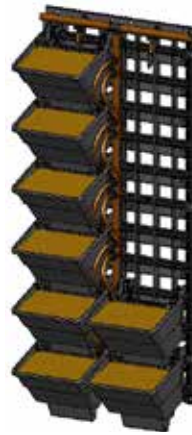
Motor Showroom, Middle East

Technical Specifications

VersiWall® GP 2060

Material	PP (UV-stabilised)	
Size (mm)		
Tray	Overall	195 (W) x 207 (H) x 192 (D)
	Nominal	200 (W) x 150 (H) x 195 (D)
Mounting Panel	Overall	418 (W) x 925 (H) x 22 (D)
	Nominal	400 (W) x 900 (H) x 22 (D)
Planting media volume (L)	~ 1.8	
Weight (kg/m²)		
Close Planting (~33 trays)	~ 93	
Spaced Planting (~22 trays)	~ 62	
Vertical distance between trays (mm)		
@150 mm pitch	0 (trays overlap)	
@225 mm pitch	40	
Biological / Chemical resistance	Unaffected by moulds and algae Good resistance to alkali and bitumen	

Mounting Systems



Mounting Panel

Easy to install proprietary panel made from recycled plastics.



Welded Mesh

Standard welded mesh with rod spacing 50 mm wide x 75 mm or 150 mm high.



Steel Rods

Steel rods at 75 mm or 150 mm intervals providing a more minimalistic design.

VersiWall® GP 2060 Fire-Resistant (VGP 2060 FR)



VGP 2060 FR is a fire-resistant green wall system, and is the result of extensive research and development by Elmich to meet fire safety regulations for use of plastics in building construction. The SCDF* fire safety requirements stipulate that only certified plastics can be used for building interiors.

VGP 2060 FR is made from a special blend of fire-resistant materials that will not burn, release toxic emissions or smoke when a fire is present. In a series of rigorous fire tests by an independent laboratory, VGP 2060 FR met the stringent fire safety requirements.

*Singapore Civil Defence Force (SCDF)

Category	Fire Risk	Test Standards	Acceptance Criteria	Test Result
D	Toxicity emission	BS EN 45545-2	CIT < 0.75	Passed
E	Smoke density	BS EN 13501-1	Smoke density: Class S1 Flaming droplet: Class D0	Passed
F	Fire spread	BS EN 13501-1	Fire spread: Class B	Passed

Singapore Civil Defence Force Fire Safety Requirements for wall and ceiling material/finishes



The Elmich security hologram ensures authenticity of the products.

Distributed by:

Note: The information provided in this brochure is based on current knowledge and experience and does not infer any legally binding assurance or warranty, expressed or implied. Intending purchasers should verify whether any changes to specifications or applications or otherwise have been made since the issue of this literature. Environmentally-friendly recycled materials are used in product manufacture wherever possible. Physical product properties including color may differ due to source of raw materials used. Color may also fade due to UV exposure. All components of the product are designed for specific application, design calculations and any variation and/or deviation therefrom shall be the responsibility of the specifier and/or user.



ELMICH PTE LTD www.elmich.com

Singapore: (+65) 6356 2800

info@elmich.com

Singapore | Australia | Germany | Switzerland | USA

