

SnapClip™ R20

Snap-Fit Hidden Fastening System



SnapClip™

SnapClip™ is a concealed snap-fit fastening system designed to work with grooved-edge boards, creating a fastener-free deck surface. Individual deck boards can be easily removed and replaced without the use of special tools making decking installation and maintenance quick and simple without damaging the boards.



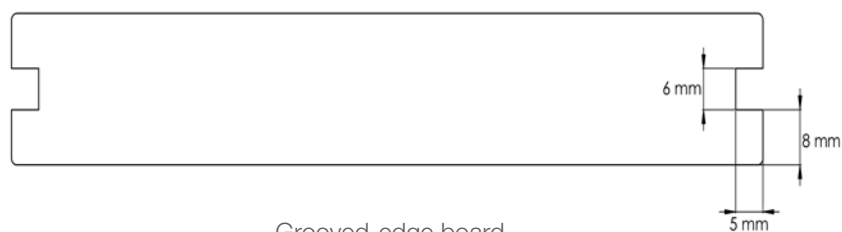
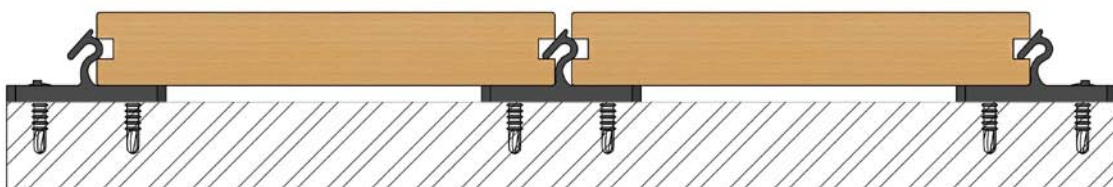
Snap-fit mechanism



Concealed fastening system



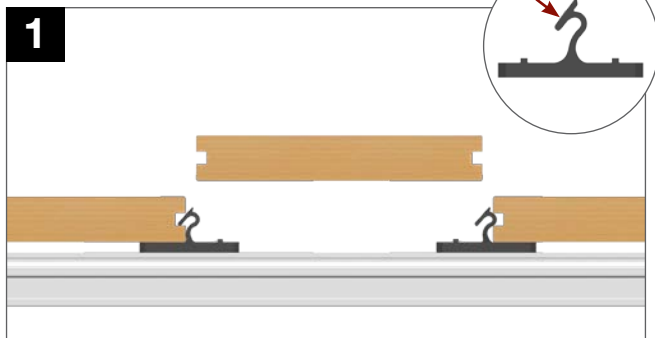
Easy removal and replacement



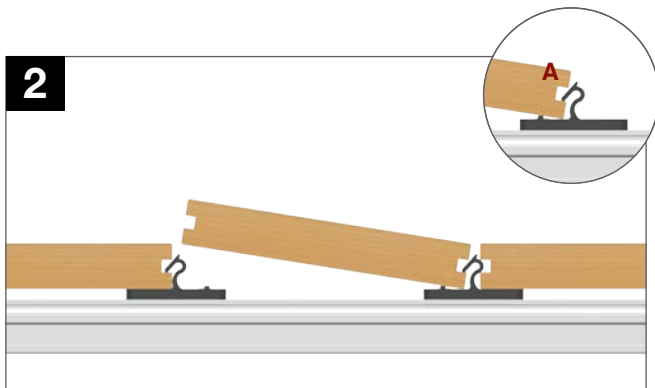
Grooved-edge board

SnapClip™ R20 Installation

INSTALLATION



1 Identify locating edge (A) of SnapClip™

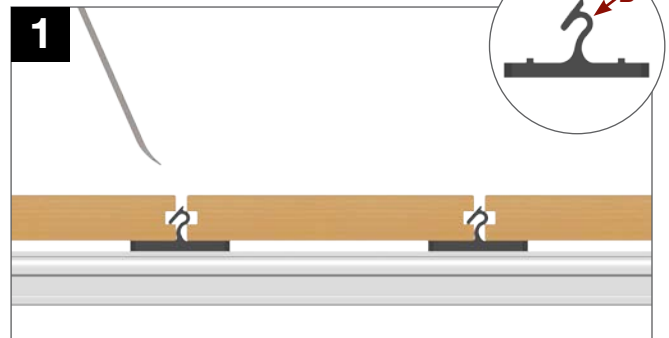


2 Align groove with locating edge

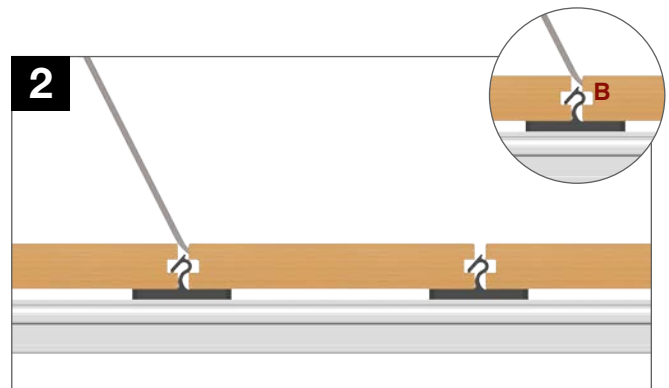


3 Snap board into place

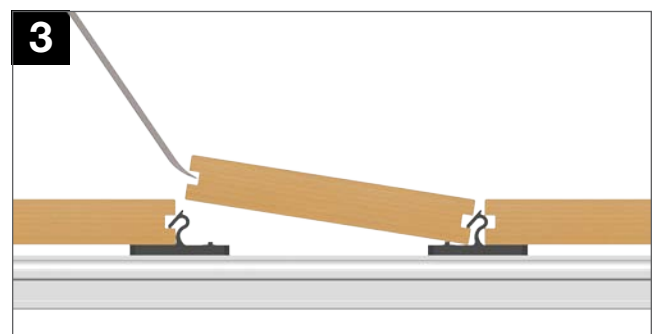
REMOVAL



1 Identify locating edge (B) of SnapClip™



2 Align pry bar at an angle into gap



3 Remove board from SnapClip™



The Elmich security hologram ensures authenticity of the products.

Distributed by:

Note: The information provided in this brochure is based on current knowledge and experience and does not infer any legally binding assurance or warranty, expressed or implied. Intending purchasers should verify whether any changes to specifications or applications or otherwise have been made since the issue of this literature. Environmentally-friendly recycled materials are used in product manufacture wherever possible. Physical product properties including colour may differ due to source of raw materials used. Colour may also fade due to UV exposure. All components of the product are designed for specific application, design calculations and any variation and/or deviation therefrom shall be the responsibility of the specifier and/or user.



ELMICH PTE LTD www.elmich.com

Singapore: (+65) 6356 2800

info@elmich.com

Singapore | Australia | Malaysia | Germany | Switzerland | USA

