

VersiWall® GP Mesh Bracket



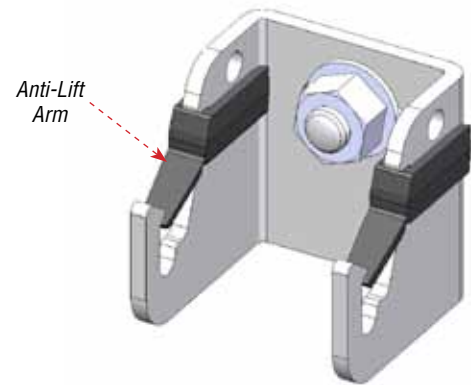
VersiWall® GP (VGP) Mesh Bracket is a robust stainless steel bracket to anchor welded mesh onto vertical surfaces for installing VGP green wall.

VersiWall® GP Mesh Bracket can be adjusted horizontally and vertically for easy alignment of individual welded mesh panels and to avoid obstacles like re-bars embedded in the wall. This enables the quick positioning and installation of the mesh panels on the wall.

VGP Mesh Bracket is engineered to facilitate use of fewer anchor points compared to conventional fastening systems using bolts of similar size with sleeves. The position of the bracket on the welded mesh does not interfere with installation of the VGP trays.

VGP Mesh Bracket provides a constant 30 mm gap between the mesh and wall for ventilation and allows services like irrigation lines to be conveniently secured at the back of the mesh away from view.

VGP Mesh Bracket has integrated flexible Anti-Lift Arms on each of its side wings to prevent the mesh from inadvertent dislodgement.



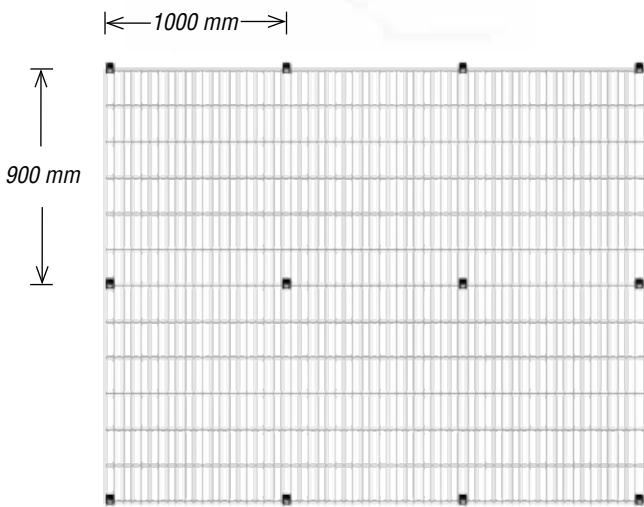
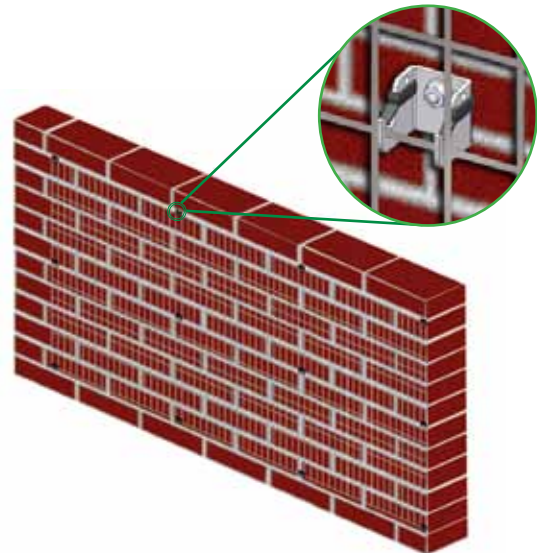
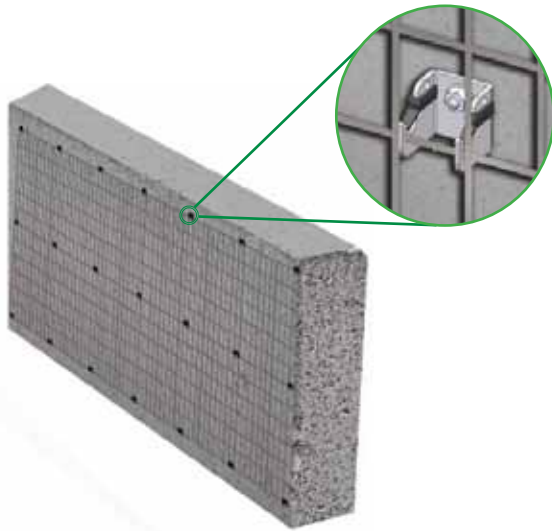
Advantages

- Durable stainless steel
- Creates 30 mm gap between mesh and wall
- Integrated Anti-lift Arm prevents dislodgement
- Easy minor horizontal and vertical adjustments
- Less wall fastening points required
- Allows attachment of accessories
- Simple and easy installation

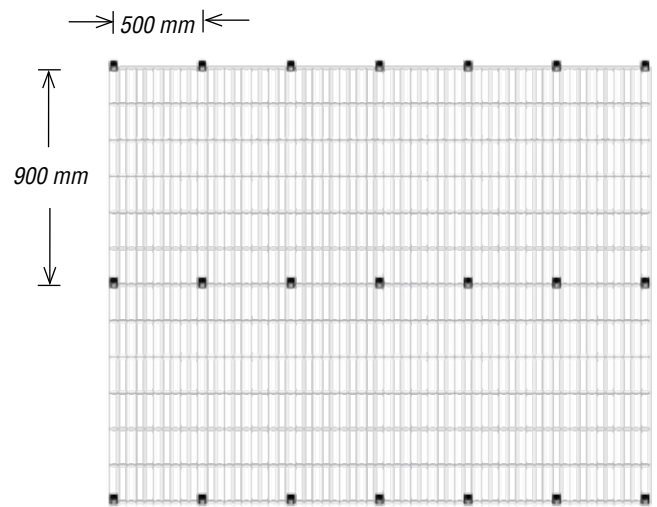


Technical Specifications

	Concrete Wall	Brick Wall
Anchor Grid (mm)	900(H) x 1000(W)	900(H) x 500(W)
Anchor Type	Hilti HSA-R M8x75 or equivalent	Hilti HIT-HY 70 with HAS-E-R M10x90 or equivalent
Welded Mesh (mm)	75(H) x 50(W) x 5Ø or 150(H) x 50(W) x 5Ø	
Support Brackets	3 mm stainless steel (Grade 304/316)	
Design Load	110 kg/m ²	
Bracket Shear Strength	117 N/mm ²	



Mounting on Concrete Wall



Mounting on Brick Wall



A security hologram has been applied on all our products to ensure that the end-user receives the best quality and original Elmich product.

Distributed by:

Note: The information provided in this brochure is based on current knowledge and experience and does not infer any legally binding assurance or warranty, expressed or implied. Intending purchasers should verify whether any changes to specifications or applications or otherwise have been made since the issue of this literature. Environmentally-friendly recycled materials are used in product manufacture wherever possible. Physical product properties including colour may differ due to source of raw materials used. Colour may also fade due to UV exposure. All components of the product are designed for specific application, design calculations and any variation and/or deviation therefrom shall be the responsibility of the specifier and/or user.



ELMICH PTE LTD www.elmich.com

Singapore: (+65) 6356 2800

info@elmich.com

Singapore | Australia | Germany | Switzerland | United States



Management System
ISO 22301:2012
www.tuv.com
ID 810067487



Management System
ISO 9001:2008
www.tuv.com
ID 810067487

