

# Elmich Variable Angle Spacer Tab



Elmich Variable Angle Spacer Tab allows for uniform separation of different-shaped pavers to create one-of-a-kind plazas and decks. Its customized features include rotatable and detachable posts according to the preferred design. This accessory complements the Elmich family of pedestals to provide versatile and cost-effective installation.

The standard pedestal top Spacer Tab caters for most paver arrangements where the joints between the pavers are at 90° or 180° degrees, using either square or rectangular pavers.

The Elmich Variable Angle Spacer Tab suits the more modern range of different shaped rectilinear pavers and also in combinations such as hexagons with triangles, octagons with squares, hexagons with triangles and squares, etc.

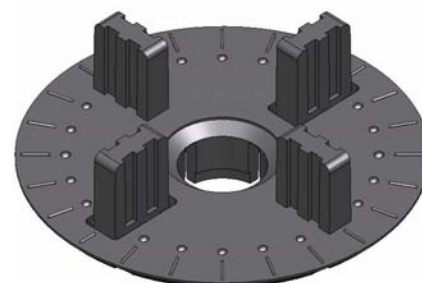
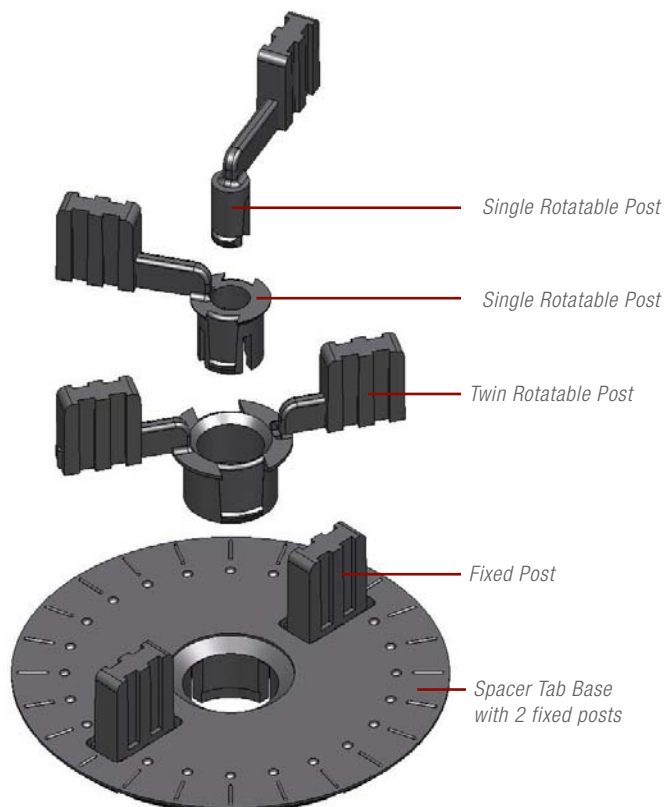
The large range of angle combinations is achieved by starting with a Spacer Tab Base component with 2 or 4 fixed posts, then adding single and twin posts that can all be rotated to different positions to suit the shape of the paver and pattern of the paving. Indents around the Base at 15° intervals assist with the initial arrangement of the posts. The posts can also be set at angles that do not correspond to these 15° increments.



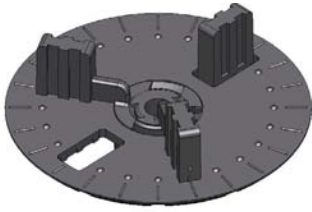
Elmich Variable Angle Spacer Tab on a Pedestal

One or more of the fixed posts on the base, and one of the twin posts can be snapped off to allow for more combinations of paver angles.

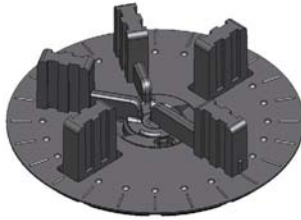
The posts of the Elmich Variable Angle Spacer Tab are 4 mm thick and 15 mm high.



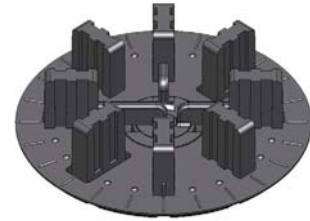
Spacer Tab Base with optional 4 fixed posts



Spacer Tab with 3 posts at 120° apart

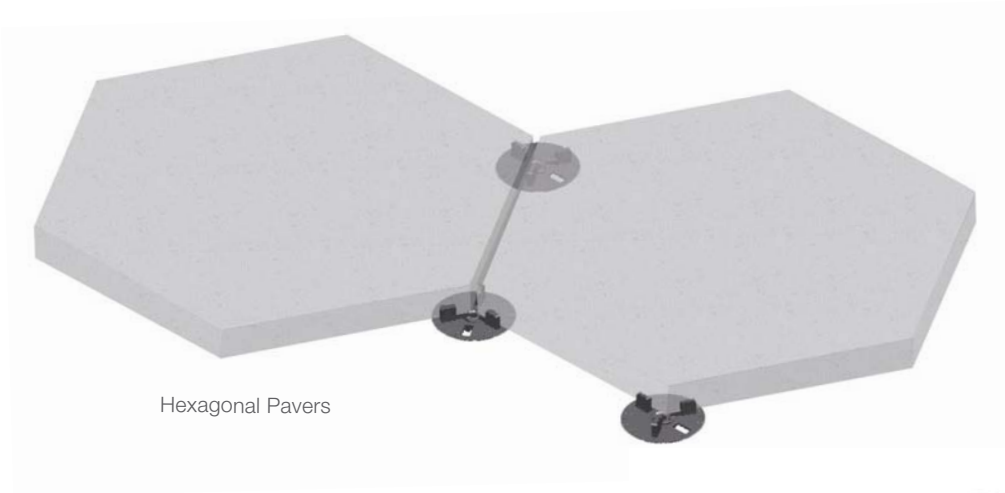


Spacer Tab with 5 posts at 60° and 90° apart



Spacer Tab with 8 posts at 45° apart

## Installation Examples



Hexagonal Pavers



Different Paver Shapes

Triangular Pavers

### Distributed by:

**Note:** The information provided in this brochure is based on current knowledge and experience and does not infer any legally binding assurance or warranty, expressed or implied. Intending purchasers should verify whether any changes to specifications or applications or otherwise have been made since the issue of this literature. Environmentally-friendly recycled materials are used in product manufacture wherever possible. Physical product properties including colour may differ due to source of raw materials used. Colour may also fade due to UV exposure. All components of the product are designed for specific application, design calculations and any variation and/or deviation therefrom shall be the responsibility of the specifier and/or user.



**ELMICH PTE LTD** [www.elmich.com](http://www.elmich.com)

Singapore: (+65) 6356 2800

[info@elmich.com](mailto:info@elmich.com)

Singapore | Australia | China | Germany | Switzerland | United States



© Elmich Pte Ltd VASP/001-V3-0515SG