

# RootGard™

## Root Barriers



### About RootGard™

RootGard™ Root Barriers are versatile and made of extremely tough polyethylene to protect hardscapes and landscapes from damage by tree roots. When used around building foundations, RootGard™ also prevents root intrusion.

The impermeable geomembrane is also ideal for golf course construction to separate the greens from invasive grass and clay soils.

RootGard™ reduces maintenance costs and damage caused by root intrusion and may be installed for both new and established planting.

The smooth plastic is pliable and can be formed into any shape or size.

Strategically positioned to abut against hardscapes, these geomembranes will prevent intrusion of roots into sensitive areas.

RootGard™ can be installed both in linear and circular style planting.



### Advantages

- Flexible and suitable for use in irregular or difficult locations
- Manufactured from high quality lightweight polyethylene material
- Available in a range of depth and length configurations to fit all planning applications. Cut edges can be easily joined using adhesive.
- Simple and easy installation
- Resistant to biological attack and a wide range of soil borne chemicals

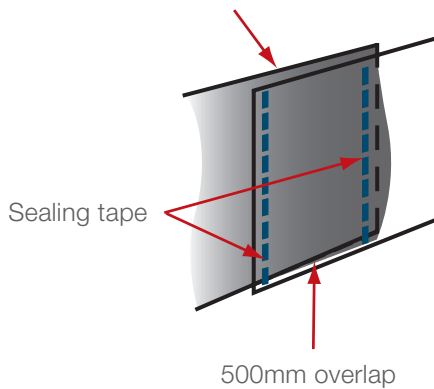


# Technical Specification

Material	HDPE
Depth	300, 600, 1000, 1500 mm
Thickness	1.25 ± 0.05 mm
<b>Break Strength</b>	
Machine Direction	2600 t/m <sup>2</sup> (ASTM D638)
Transverse Direction	2700 t/m <sup>2</sup> (ASTM D638)
<b>Break Elongation</b>	
Machine Direction	600% (ASTM D638)
Transverse Direction	700% (ASTM D638)
<b>Tear Strength</b>	
Machine Direction	14 kgf (ASTM D1004)
Transverse Direction	15 kgf (ASTM D1004)
<b>Puncture Strength</b>	36.5 kgf (ASTM D4833)
<b>Hydrostatic Resistance</b>	200 t/m <sup>2</sup> (ASTM D751-A)
<b>Multi-Axial Tensile Stress</b>	1600 t/m <sup>2</sup> (ASTM D5617-A)
<b>Elongation @Rupture</b>	20.8% (ASTM D5617-A)

## Joining details of RootGard™

Edge to be 20mm above grade



## Typical Linear Application



## Typical Circular Application



## Distributed by:

**Note:** The information provided in this brochure is based on current knowledge and experience and does not infer any legally binding assurance or warranty, expressed or implied. Intending purchasers should verify whether any changes to specifications or applications or otherwise have been made since the issue of this literature. Environmental-friendly recycled materials are used wherever possible and physical product properties including colour may differ due to source of raw materials used. Colour may also fade due to UV exposure. All components of the product are designed for specific application, design calculations and any variation and/or deviation therefrom shall be the responsibility of the Specifier and/or User.



**ELMICH PTE LTD** [www.elmich.com](http://www.elmich.com)

Singapore: (+65) 6356 2800

info@elmich.com

Singapore | Australia | Germany | Malaysia | Switzerland | USA

